



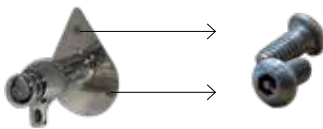
**Vernal dog plastic drinking fountain** made of recycled thermoplastic polymer and stainless steel tap fixing plate. 100% recyclable UV treated material that requires little maintenance. High resistance to impact, wear and inclement weather.

Chrome-plated steel upper tap for drinker filling by means of a push-button system (included).

Stainless steel drinker for animal use, with hole in the central part to avoid stagnant water and with side lever to tilt the drinker for later emptying.

### Advantatges:

- Vandal-resistant security screws to prevent drinking fountain accessories from being stolen (tap, tap fixing plate, etc...)

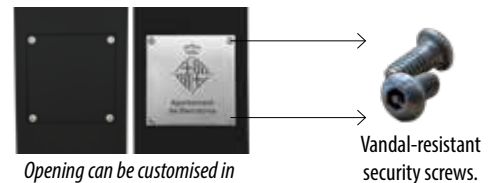


Vandal-resistant security screws

- Not painted. Hardly oxidized. Little maintenance needed.
- Limited flexibility.
- The Tap and tap's fixing plate are interchangeable with other of our drinking fountain models
- Fixing plate installation by means of metal plugs.

### Optional:

- Front or rear opening for possible repairs. Customisable in stainless steel with a logo or text decoration of the City Hall.



Opening can be customised in lacquered or stainless steel.

- Customisation with the City Hall logo or coat of arms.





# URBAN DRINKING FOUNTAIN

## VERNAL

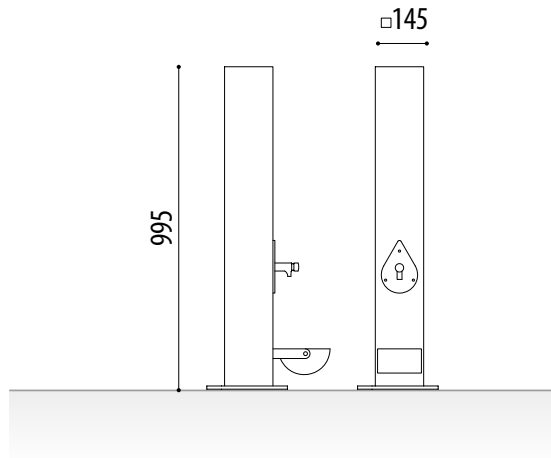


### MEASURES:

Width: 145x145 mm.

Visible / total height: 995 mm.

Bottom plate: 210x210 mm.



### STANDARD FINISHES:

Color black ..... Ref. FVERNAL01

### GRATE (OPTIONAL):

Set consisting of two plastic pieces: a channel (lower part) and a grate (top part).



REF. RFP01

### NOT INCLUDED:

- Drain grate.
- Fixing plugs.

Ado urban furniture. SL. reserves the right to modify product specifications without prior notice.



 [www.adourbanfurniture.com](http://www.adourbanfurniture.com)

 +34 93 116 29 75 (International) | +34 93 456 03 03 (Spanish)

 [info@adourbanfurniture.com](mailto:info@adourbanfurniture.com)

Office, factory and warehouse: C/ Acer, 37-43 Pol. Ind. Les Guixeres 08915 Badalona - Spain