



Pug urban plastic drinking fountain made of recycled thermoplastic polymer and stainless steel tap fixing plate. Chrome-plated steel upper tap for drinker filling by means of a push-button system (included).

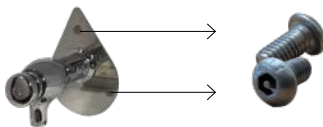
100% recyclable UV treated material that requires little maintenance.

High resistance to impact, wear and inclement weather.

Stainless steel drinker for animal use, with hole in the central part to avoid stagnant water and with side lever to tilt the drinker for later emptying

Advantatges:

- Vandal-resistant security screws to prevent drinking fountain accessories from being stolen (tap, tap fixing plate, etc...)



Vandal-resistant security screws

- Not painted. Hardly oxidized. Little maintenance needed.
- Limited flexibility.
- The Tap and tap's fixing plate are interchangeable with other of our drinking fountain models
- Fixing plate installation by means of metal plugs.

Optional:

- Front or rear opening for possible repairs. Customisable in stainless steel with a logo or text decoration of the City Hall.





URBAN DRINKING FOUNTAIN

PUG

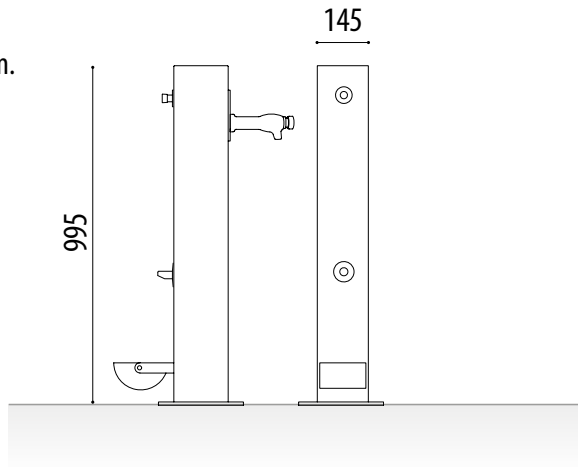


MEASURES:

Width: 145x145 mm.

Visible / total height: 995 mm.

Bottom plate: 210x210 mm.



STANDARD FINISHES:

Color black Ref. FPUG01

GRATE (OPTIONAL):

Set consisting of two plastic pieces: a channel (lower part) and a grate (top part).



REF. RFP01

NOT INCLUDED:

- Drain grate.
- Fixing plugs.

Ado urban furniture. SL. reserves the right to modify product specifications without prior notice.



 www.adourbanfurniture.com

 +34 93 116 29 75 (International) | +34 93 456 03 03 (Spanish)

 info@adourbanfurniture.com

Office, factory and warehouse: C/ Acer, 37-43 Pol. Ind. Les Guixeres 08915 Badalona - Spain