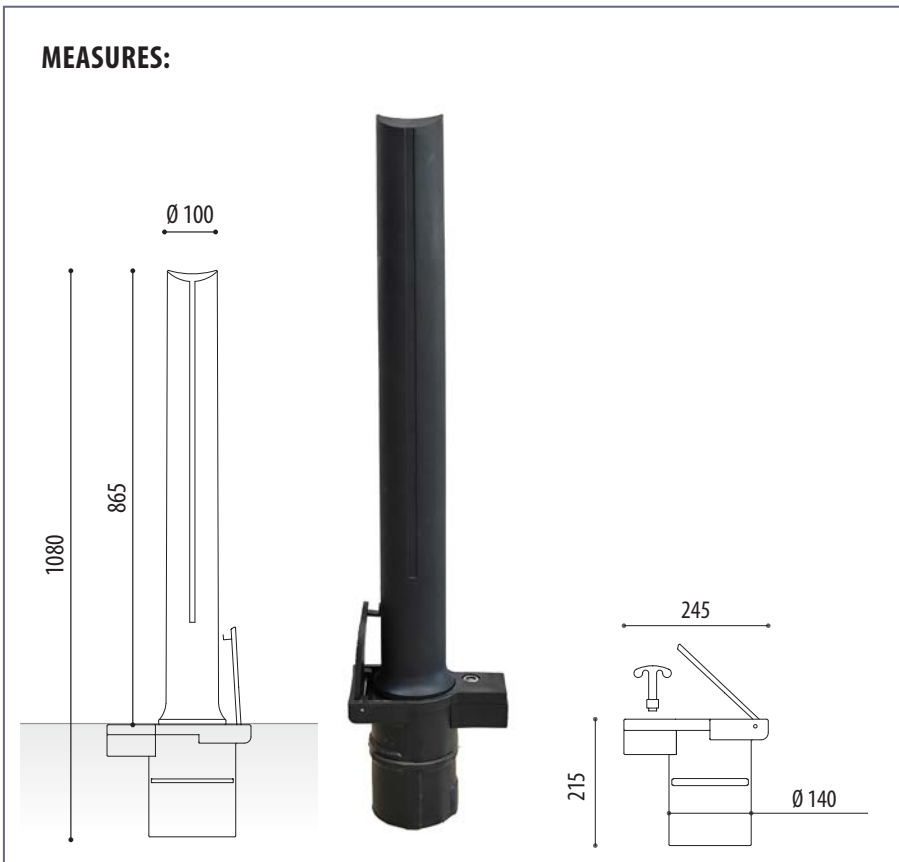


MEASURES:



A-Flex Badalona flexible polyurethane bollard with removable black plastic base or removable galvanized iron base. Base specially designed for our A-Flex flexible bollard with hinged top cover. By simply inserting a flexible bollard into the base, the bollard can be locked using a standard triangular key located on the side of the base to lock the lid once closed or to lock the bollard once inserted into the hole.

A-FLEX BADALONA MODELS:

Negro Ref. PFBNDHN



BASE REMOVABLE:

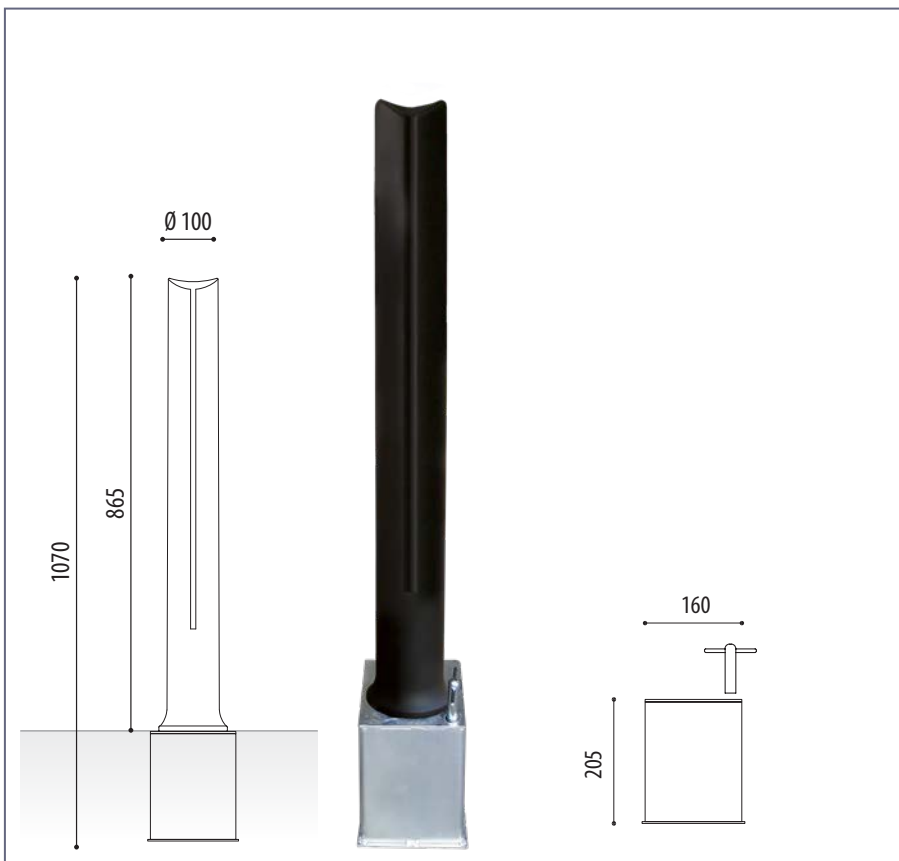
Plastic **BEXTRAP01**
Iron **BEXTRAH01**












BEXTRAP01



BEXTRAH01



FEATURES A-FLEX BOLLARDS:

-  Virtually unbreakable.
-  100 % recyclable.
-  Not painted. No rust. Maintenance-free.
-  Memory bollard; in case of impact, it returns to its original shape and position.
-  High resistance to many solvents, oils and greases.
-  High resistance to many solvents, oils and greases.
-  High resistance to abrasion.
-  Pleasant to touch.
-  Aesthetically identical to metal bollards.

The properties of this material allow that in case of impact, the bollard comes back to its original shape and position. They don't break, they don't get dented and they don't oxidize.

ADVANTAGES COMPARING TO OTHER BOLLARDS

Vs bollards made of metal:	Vs bollards made of plastic:	Vs bollards made of rubber:	Vs bollards of casting polyuretene:
<ul style="list-style-type: none"> - Not rust. - Less weight. - Less rumors generated. - Resistance to corrosion. - Zero maintenance. 	<ul style="list-style-type: none"> - Zero fragility. - Elastometric memory (compression set resistance). - Resistance to abrasions. 	<ul style="list-style-type: none"> - Resistance to abrasions. - Resistance to cut and injuries. - Resistance to push and dynamic loads. - Resistance to the ozone. 	<ul style="list-style-type: none"> - Working at high temperatures. - No crystallizing (final break of the bollard). - High resistance to wet environments (even hydrolysis). - Numerous chemical agents.



FLEXIBLE BOLLARDS

MODELO PATENTADO
PATENTED MODEL

A-FLEX BADALONA REMOVABLE



● A-FLEX BOLLARDS CERTIFICATES:

1. Certificate Applus IDIADA impact-proof bollard A-Flex head (HIC).

Obtained result in test are less than <math><650</math>.
A-Flex is lees than 216 (slight rating).

Applus⁺
IDIADA



2. Certificate Applus IDIADA impact-proof bollard A-Flex body (AIS).

Obtained results show a level of accelaration of the body which relates with a possibility of suffering from a damage is AIS3 of <math><10\%</math>.

Applus⁺
IDIADA



3. Certificate of overcoming a deflactation of 2000 cycles at 90°.

They were realized more than 2.000 cycles of flection without appearing any line in the surface of the bollard and coming back to its original position after suffering a strenght which had flexed in to the 90°.

Applus⁺
IDIADA



4. Certificate impact-proof from a vehicle at more than 80 km/h.

Impact from a vehicle at more than 80 km/h against the A-Flex bollard without being damaged.



5. Certificate of Resistance to fire Clase E.

This classification was realized according to what explained in the Norm UNE-EN 13501-1:2007+A1:2010: "Classification of the behaviour facing fire for the products to be built of the elements for edification".



6. Certificate of compliance Reach.

A-Flex bollards manufactured with materials according to the strict normative REACH (U.E.) at european nivel, they are free from heavy, polluting materials and damaging substances.



7. Certificate CE.

A-Flex bollards meet the general Directive of products in the European Community according to the norm 2001/95/CE, R.D. 1803/2003.



www.adourbanfurniture.com

+34 93 116 29 75 (International) | +34 93 456 03 03 (Spanish)

info@adourbanfurniture.com