



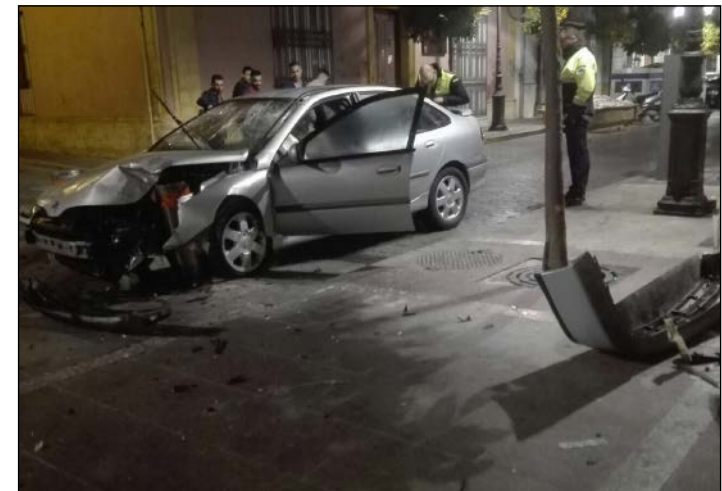
www.adosa.es



- ELECTROMAGNETIC COMPATIBILITY DIRECTIVE 89/336 / EEC
- LOW VOLTAGE DIRECTIVE 73/23 / CEE
- SAFETY REQUIREMENTS FOR FLUID POWER SYSTEMS EN982

TELESCOPIC BOLLARDS 2024

Your protection in the hands of professionals



BOLLARDS MANUFACTURERS

Ado, as a pioneering company in the manufacture of retractable bollards, has one of the most comprehensive catalogues on the market, fully satisfying the needs of our customers.

We offer high-quality bollards at competitive prices, minimising costs without reducing quality.

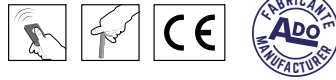
We dispose of a range going from economical to high-end security bollards, and we also adapt bollards to installations of other brands, avoiding the high-priced masonry work of replacing these.

The experience gained over all these years allows us to develop all kinds of solutions for our customers.

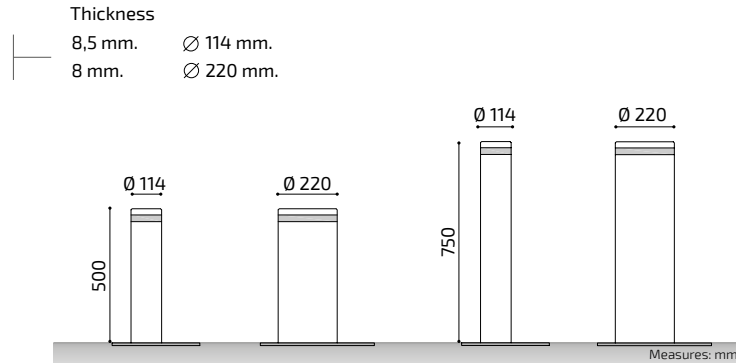


SYDNEY (HIGH-END)

STAINLESS STEEL



PEASY220X500



Installation:



■ On request AISI 316.

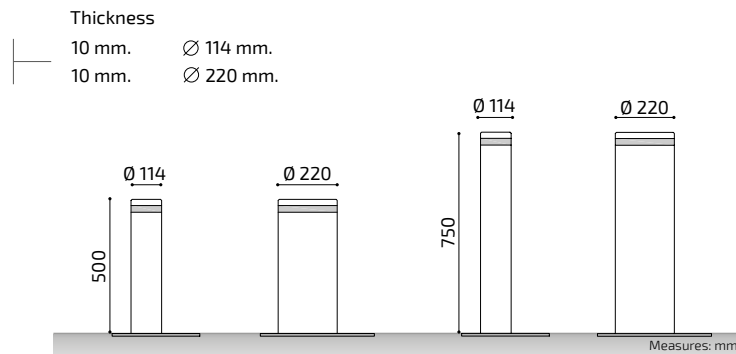


MELBOURNE (HIGH-END)

GALVANISED STEEL



PEAME220X500



Installation:

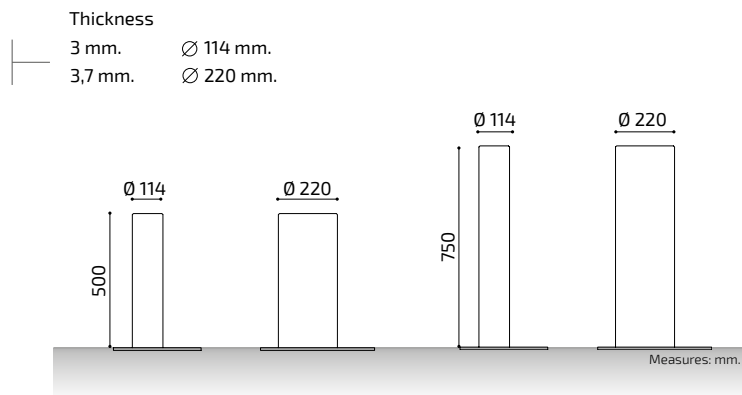


OSLO (MID-RANGE)

STAINLESS STEEL



PEASY220X500



Installation:

- Chassis + Foundation case. | Reflective tape optional.

■ On request AISI 316.

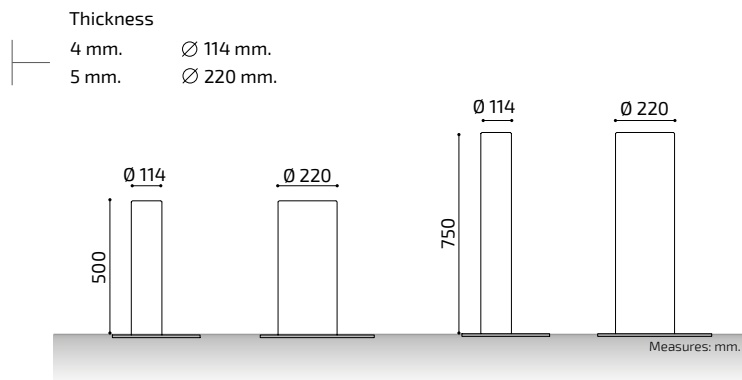


ESTOCOLMO (MID-RANGE)

GALVANISED STEEL

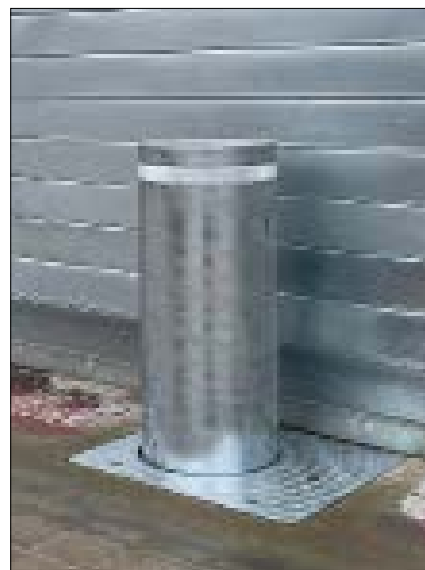


PEAME220X500



Installation:

- Chassis + Foundation case. | Reflective tape optional.

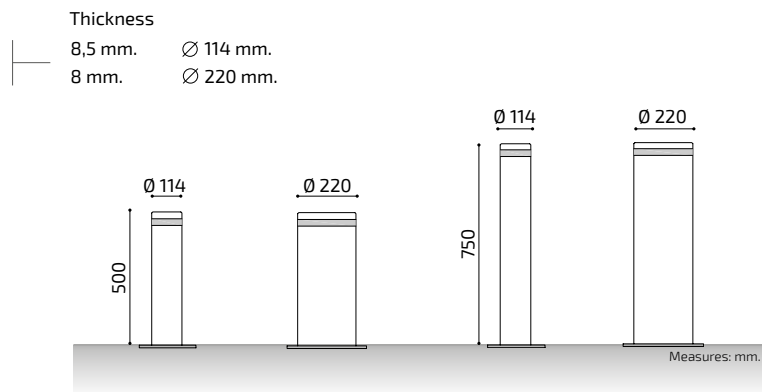


LUXEMBURGO (HIGH-END)

STAINLESS STEEL



PEMLU220X500



Installation:



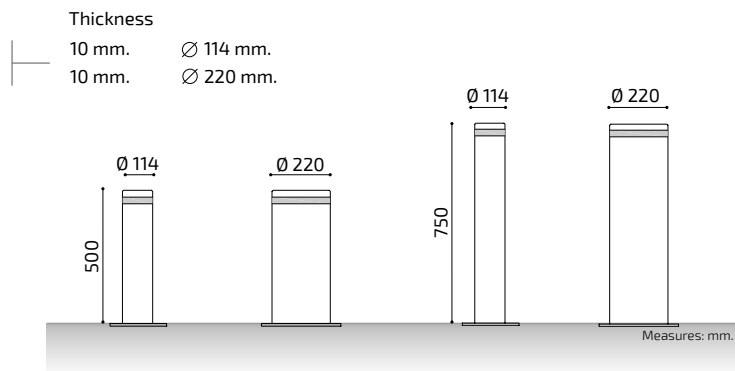
■ On request AISI 316.

BRUSELAS (HIGH-END)

GALVANISED STEEL



PEMBR220X500

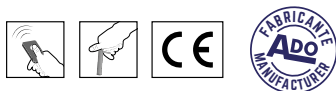


Installation:

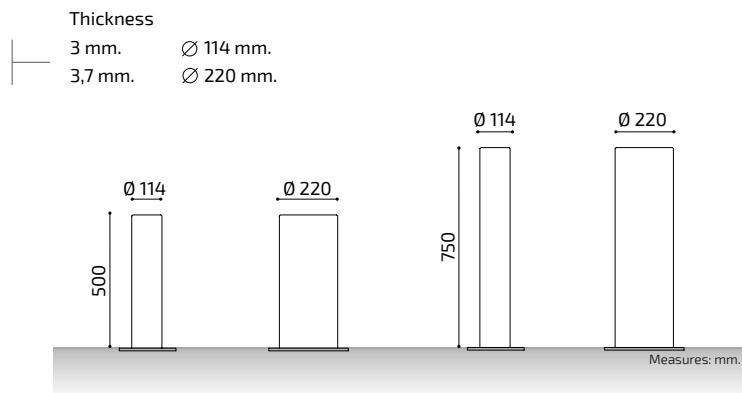


CHELSEA (ECONOMICAL RANGE)

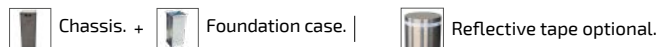
STAINLESS STEEL



PEMCH114X500



Installation:

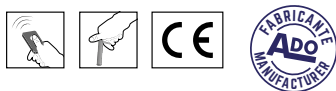


■ On request AISI 316.

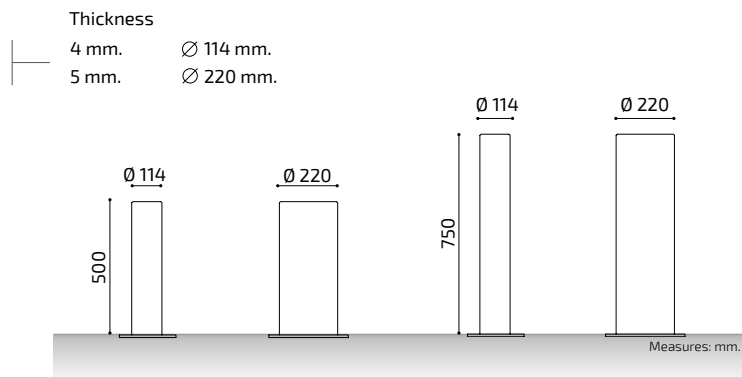


LONDON (ECONOMICAL RANGE)

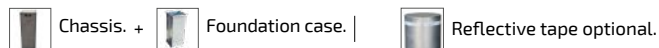
GALVANISED STEEL



PEMLOS220X500



Installation:



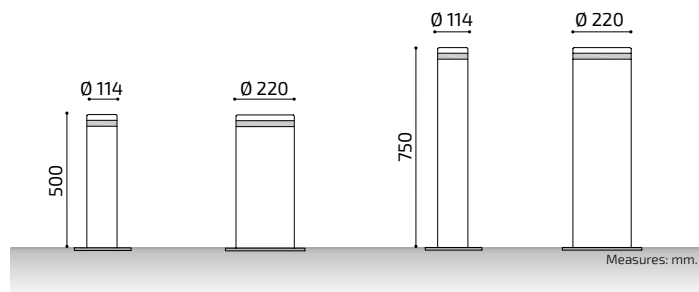
BUENOS AIRES (HIGH-END)

STAINLESS STEEL



PEMBU220X500

Thickness
8,5 mm. \varnothing 114 mm.
8 mm. \varnothing 220 mm.



Installation:



Chassis / Foundation case.

■ On request AISI 316.

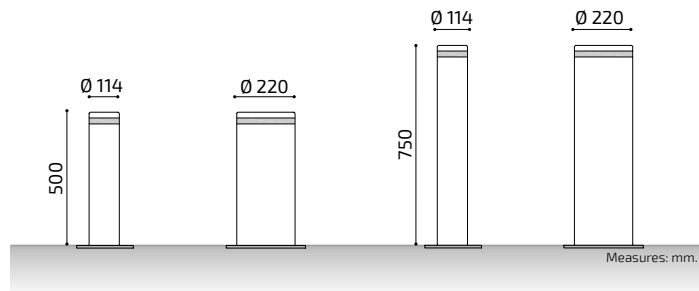
ROSARIO (HIGH-END)

GALVANISED STEEL



PEMRO220X500

Thickness
10 mm. \varnothing 114 mm.
10 mm. \varnothing 220 mm.



Installation:



Chassis / Foundation case.

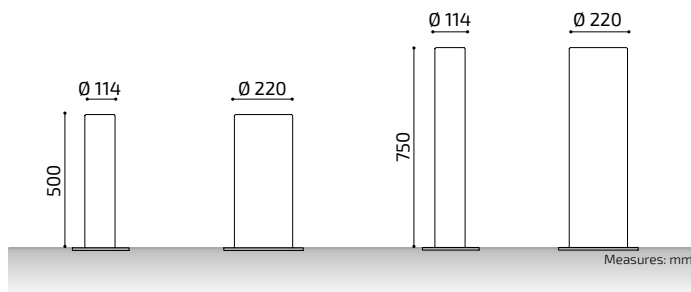
RIO (MID-RANGE)

STAINLESS STEEL



PEMRI220X500

Thickness
 3 mm. Ø 114 mm.
 3,7 mm. Ø 220 mm.



Installation:



Chassis / Lost casing.



Reflective tape optional.

■ On request AISI 316.

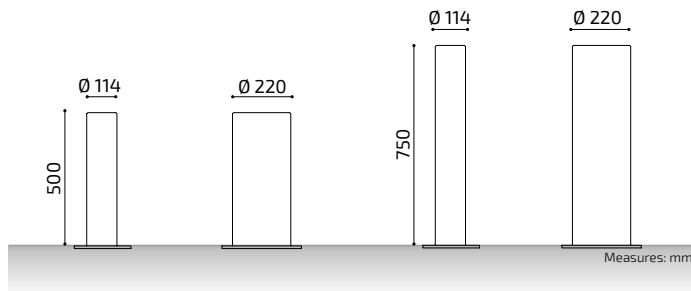
BRASILIA (MID-RANGE)

GALVANISED STEEL



PEMBRA220X500

Thickness
 4 mm. Ø 114 mm.
 5 mm. Ø 220 mm.



Installation:



Chassis / Foundation case.



Reflective tape optional.

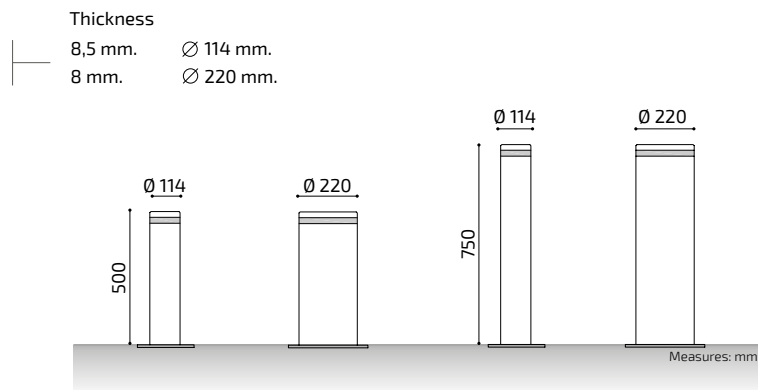
ABU DABI (HIGH-END)

STAINLESS STEEL



PEAAB220X500

■ On request AISI 316.

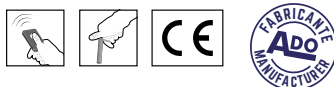


Installation:

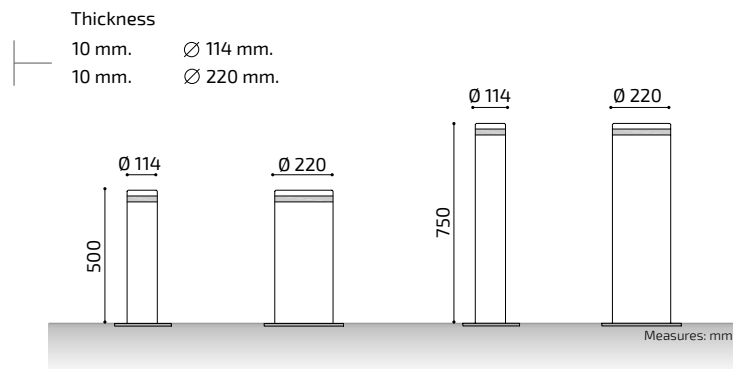
Chassis / Foundation case.

DUBAI (HIGH-END)

GALVANISED STEEL



PEADU220X500

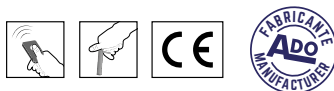


Installation:

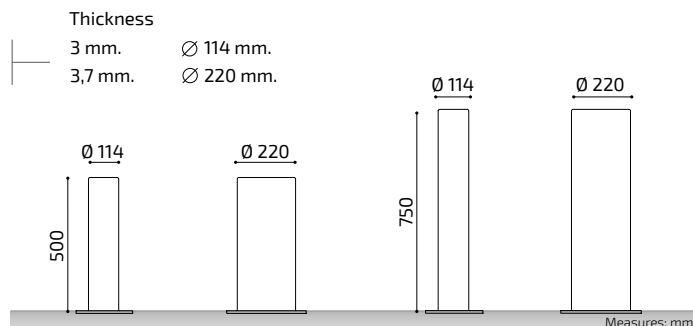
Chassis / Foundation case.

TORONTO (ECONOMICAL RANGE)

STAINLESS STEEL



PEATO220X500



Installation:



Chassis / Foundation case.

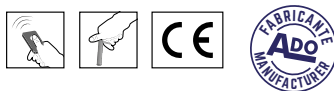


Reflective tape optional.

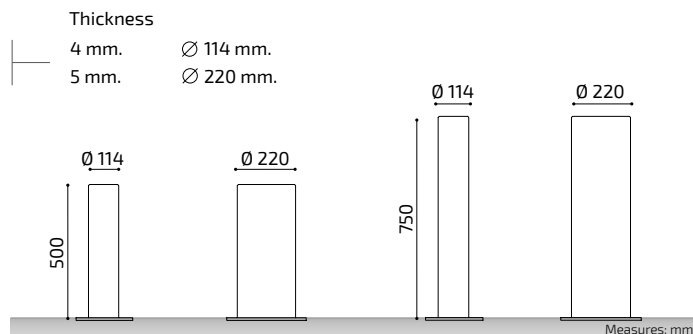
■ On request AISI 316.

MONTREAL (ECONOMICAL RANGE)

GALVANISED STEEL



PEAMO220X500



Installation:



Chassis / Foundation case.



Reflective tape optional.

CANCUN (MID-RANGE)

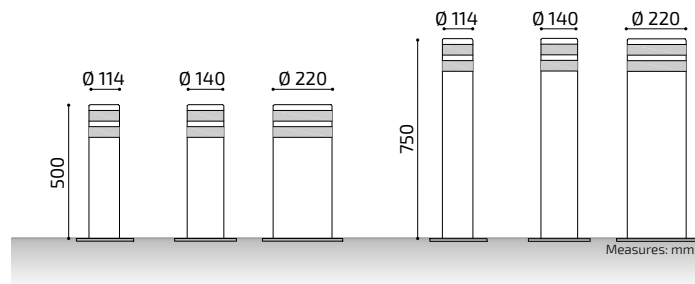
STAINLESS STEEL



PEMCA140X500

Thickness:

- 3 mm. Ø 114 mm.
- 3,4 mm. Ø 140 mm.
- 3,7 mm. Ø 220 mm.



Installation:



Chassis / Foundation case.

■ On request AISI 316.

TIJUANA (MID-RANGE)

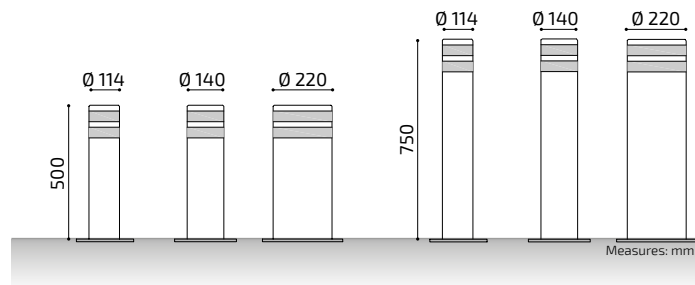
GALVANISED STEEL



PEMMO140X500

Thickness:

- 4 mm. Ø 114 mm.
- 4 mm. Ø 140 mm.
- 5 mm. Ø 220 mm.



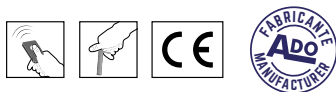
Installation:



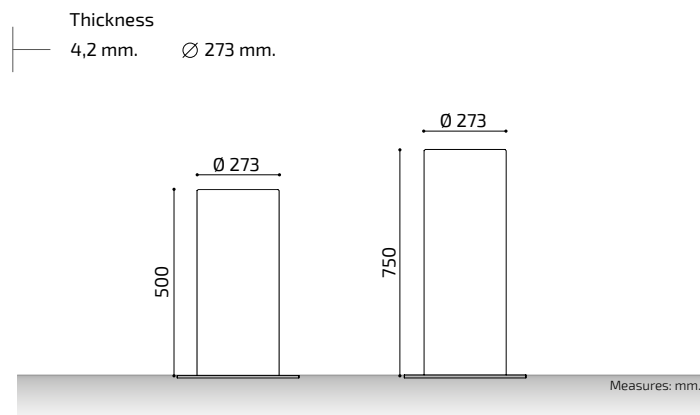
Chassis / Foundation case.

NEW YORK (HIGH-END)

STAINLESS STEEL



PEANE273X750

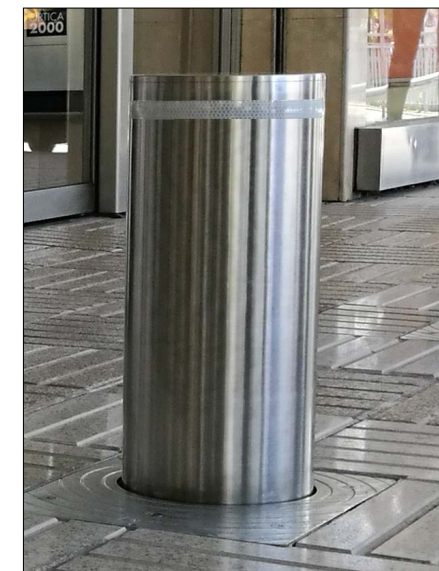


Installation:



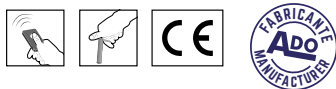
Chassis. + Foundation case.

■ On request AISI 316.

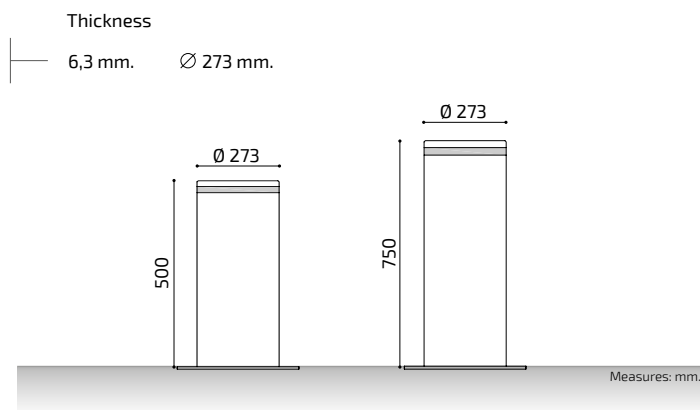


WASHINGTON (HIGH-END)

GALVANISED STEEL



PEAWA273X750



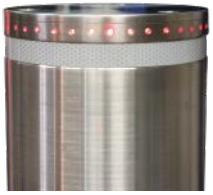
Installation:



Chassis. + Foundation case.



+ TELESCOPIC BOLLARDS ACCESSORIES



CILPE ight crown.



CILRA light crown.



CILMU light crown.



Weathering steel.



Extra milling.



Logo personalisation.



Matching fixed bollard.



Gradient bollard.



Custom designs.



Foundation case.



Provisional construction cover.



Position micro-indicators.



Cover opening detection.



Metal mass detector.



Connection kit.



Road signs.



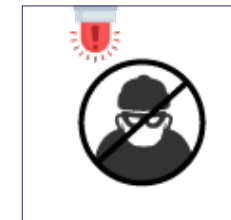
Traffic lights.



Heating.



Annual time schedule.



Antitampering alarm.

+ APERTURE SYSTEMS



Remote control.



Proximity card.



TAG system.



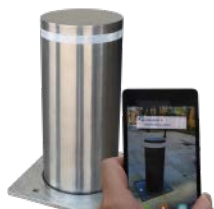
Key.



Buttons



GSM intercom.



GSM system.



License plate reader.



Barcode reader.

+ OPENING SYSTEMS FOR EMERGENCY VEHICLES

Siren detector (identifies the signal of approved sirens, ambulances, police, firefighters, etc...) and lowers the bollards to allow emergency vehicles to pass without stopping.



Stainless steel access control posts with LED traffic lights, possible addition of accessories inside such as license plate readers, numeric keypads, card readers, etc...

URBAN

STAINLESS STEEL

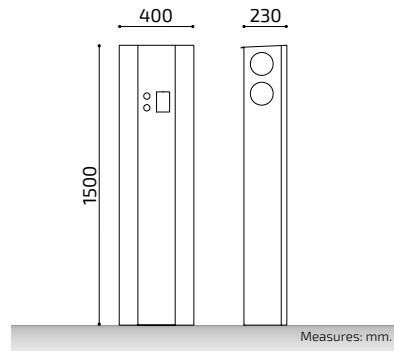


PCACCES02



Traffic light cover

Other measures on request.
 On request AISI 316.



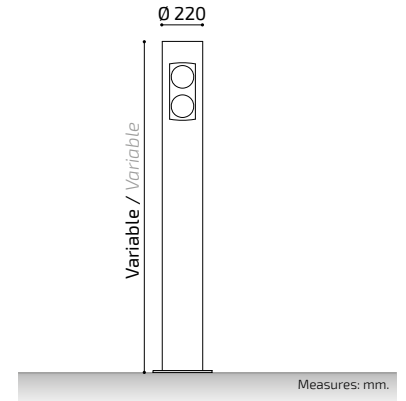
METROPOLIS

STAINLESS STEEL



PCACCES04

Other measures on request.
 On request AISI 316.



+ | TELESCOPIC BOLLARD ADAPTATION

Adaptation of our retractable bollards to foundation cases and/or chassis already installed by other manufacturers, thus allowing the replacement of the bollard shaft and other components without carrying out masonry work.

We manufacture bollards and components customised according to the customer's requirements, adapting existing elements.





SHOPPING MALL
EL CORTE INGLÉS

**TELESCOPIC BOLLARDS
INSTALLATIONS**





FC BARCELONA





FC BARCELONA





AT. DE MADRID





BARCELONA





*SANTA COLOMA
DE GRAMENET*





BARCELONA





Oficines
CORNELLA
i Serveis Tècnics





CALELLA





BARCELONA





BARCELONA

TOUS





BARCELONA

RABAT
BOUTIQUE

RABAT
BOUTIQUE





GRAU
BARCELONA



BARCELONA

PHILIPP PLEIN





BARCELONA





LES FONTS





BARCELONA





*SANT FELIU
DE GUIXOLS*





BADALONA





MADRID

RABAT





BARCELONA





PRATS DE LLUÇANES





MONTGAT





HELLY HANSEN *BARCELONA*

The store window display is a promotional advertisement for the Helly Hansen Collserola ultratrail race. It features a mannequin dressed in athletic gear, including a red helmet, a grey jacket, a bright yellow-green t-shirt, and blue and black running shorts. The mannequin is posed as if running. To the left of the mannequin is a large vertical poster with the following text: 'HELLY HANSEN ULTRATRAIL COLLSEROLA' in bold letters, with 'by C. IVRESPORT' below it. The poster also includes a map of the race route, the date '22 NOV 2014', and the race distances: '23 km', '45 km', and '80 km'. At the bottom of the poster, there are logos of sponsors and the website 'www.ultcollserola.com'. The background of the window shows a street scene with a white car and trees. The entire display is set within a red frame.





BARCELONA

Dior





OPERA GALLERY

MADRID



Summer Vibes
20 DE JUNIO
— 31 DE JULIO
DE 2024

OPERA GALLERY



TIFFANY & CO.



MADRID

TIFFANY & CO.





CHANEL

CHANEL

CELINE

MADRID





*SANTA COLOMA
DE GRAMENET*





ESPLUGUES





CERDANYOLA





ULLASTRET





DOSRIUS



TORDERA





MADRID





TORREVIEJA





BADALONA

ADO





*BADALONA
FACTORY*





*BADALONA
FACTORY*





CONTACT

SALES TECHNICIAN

Ruben - ruben@adosa.es

+34 93 456 03 03 | +34 93 116 29 75

TECHNICAL SUPPORT

Enric - enric@adosa.es

+34 93 456 03 03 | +34 93 116 29 75



HEADQUARTER, FACTORY AND WAREHOUSE

Acer 37-43 Street in the Polygon Industrial Les Guixeres.
08915 Badalona.

+34 93 116 29 75



WAREHOUSE

Camí del Crist street in Polígono Industrial 2, parcel 5.
08340 Vilassar de Mar.