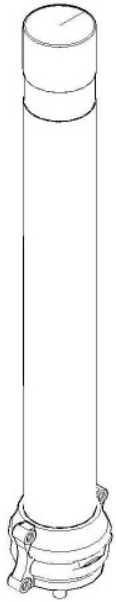




INSTALLATION EXAMPLE

SCREW A-FLEX / A-ECO BOLLARD

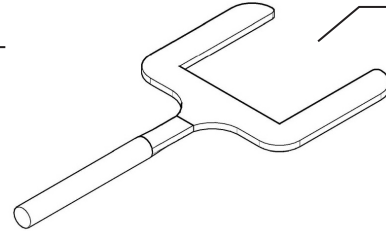
● INCLUDES:



1 ut.
Screw A-flex / A-Eco bollard

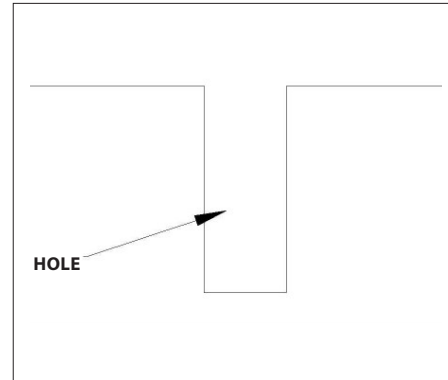


1 ut.
Anchorage (included)

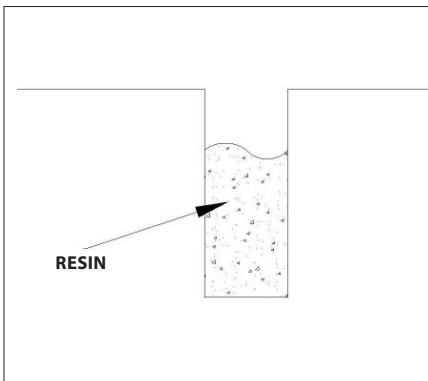


OPTIONAL:
Key to fix the bollard
(not included)

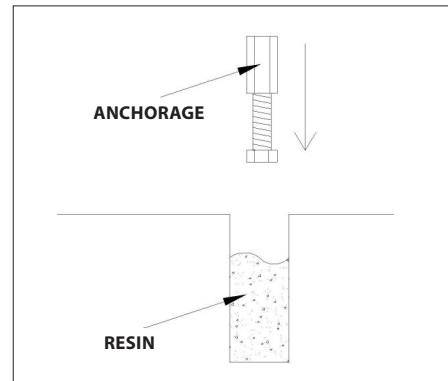
● INSTALLATION:



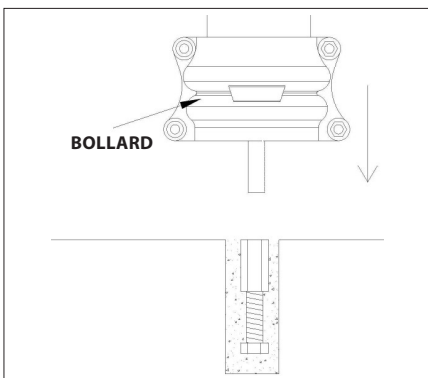
1.
Make a hole in the ground in order to place the anchorage.



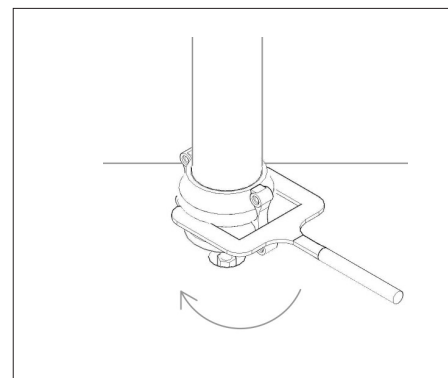
2.
Fill the hole you have made with Epoxi resin (not included).



3.
Put the anchorage in the hole.



4.
Let the resin dry and then you can screw the bollard.



5.
Screw the bollard with the help of the key.

Ref. LLFLEXT



www.adourbanfurniture.com

+34 93 116 29 75 (International) | +34 93 456 03 03 (Spanish)

info@adourbanfurniture.com